



THE GATE CLOSER SPECIALISTS

Locinox Standard Gate Lock With Exit Push Pad

This variation of the Locinox standard Lock is suitable for gates that are part of an emergency exit route and when a panic situation is likely to arise and for ease of operation when carrying parcels or other items requiring both hands.

Exit and entry using the push pad or handle is only possible when the deadbolt is engaged. The deadbolt is engaged by making one turn of the key, the deadbolt will then provide additional night-time security. With the deadbolt engaged, exit and entry are NOT possible using the handle from the inside or outside.

The Locinox Standard Lock with push pad is easy to install and requires no welding of any parts. Its aluminium lock case and stainless steel lock parts ensure a rust free life, not rusting from the inside or outside.

A strong tamper resistant construction provides superior levels of security and decreases the likelihood of damage to the lock. All fixing screws are only accessible when the gate is open, discouraging theft of the lock. Both latch bolt and deadbolt projection are adjustable without removing the lock case making final adjustment really easy.

It is available in three colours, black, silver and green. Three models are offered to fit gate frame profiles: 10-20mm solid bar, 30-50mm box section and 40-60mm box section (see ordering details).

Each lock comes with a handle, push pad, keep, locking cylinder with three keys and a blank cylinder. We also provide a drawing giving drilling hole sizes



Technical Overview:

15mm latch bolt retraction

25mm deadbolt throw with 1 turn of key

20mm latch bolt adjustment

Deadbolt inoperative with blank cylinder

20mm deadbolt adjustment

Deadbolt operative with keyed cylinder

Stainless steel chassis and lock parts

Comes in black, green or silver

Comes with handle, push pad and keep

Models for 10mm solid up to 60mm box section

Tested up to 500,000 movements

Ordering Details

Product code

LPKQU2

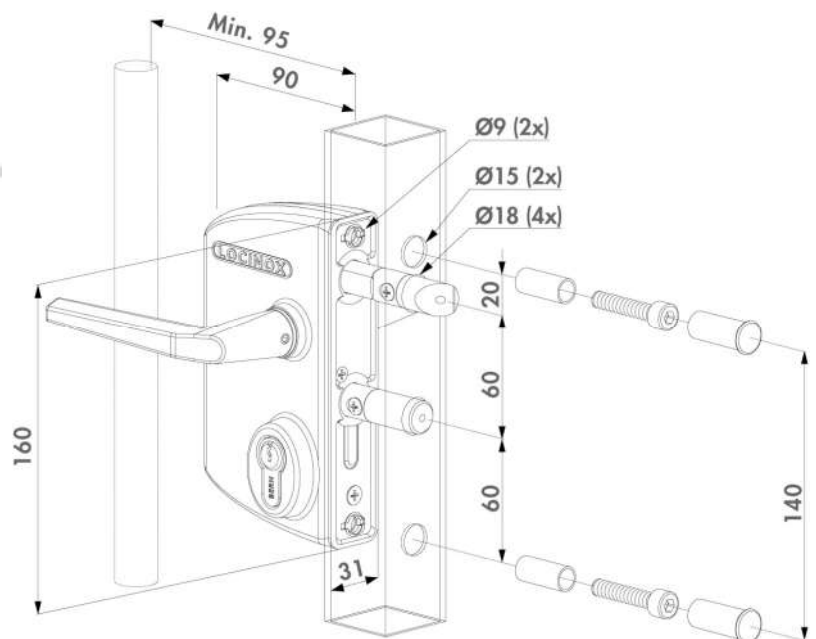
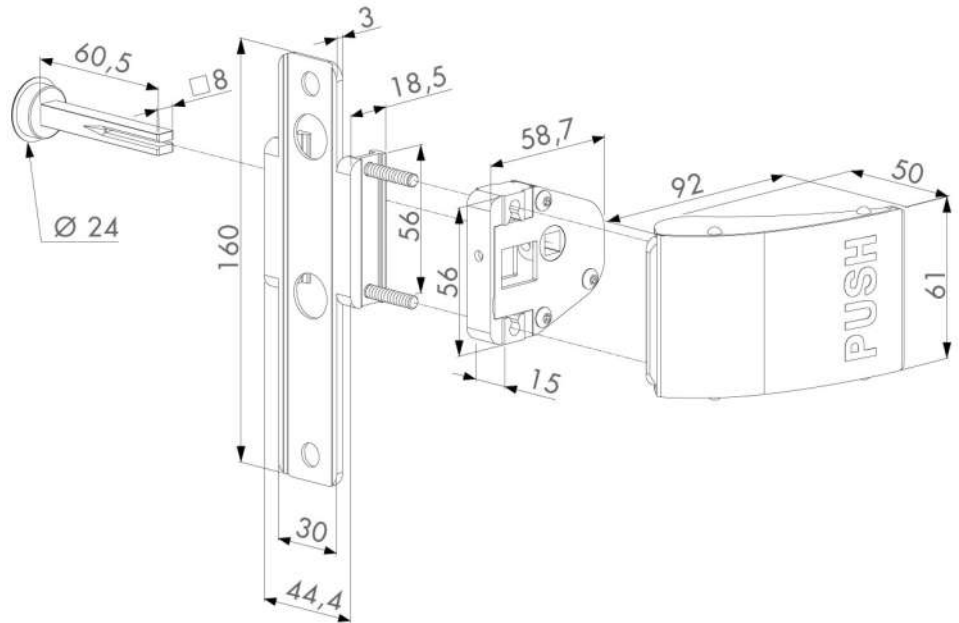
Product Description

Exit Push Pad for Standard Gate Lock

Locinox Standard Gate Lock With Exit Push Pad



Dimensions and Fitting Detail:



Ordering Details

Product code

LPKQU2

Product Description

Exit Push Pad for Standard Gate Lock