

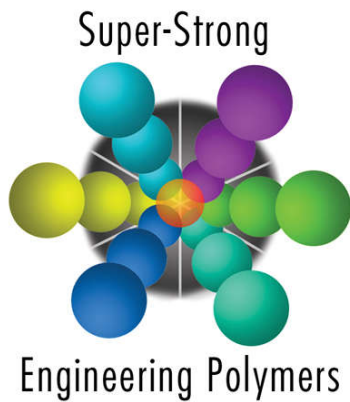


# THE GATE CLOSER SPECIALISTS

## Lokk Latch Series 2 Lockable General Purpose Gate Latch

A quality yet, affordable, pedestrian gate latch for general-purpose gates around the home. Made from strong, moulded polymer and fitted with stainless steel components. Lokk Latch takes a radical new approach to the gravity latch principle by combining the benefits of key locking and reliable action using rust free materials.

We offer Lokk Latch Series 2 in two models, with or without an external access kit (EAK). The External Access Kit allows gates to be operated from outside the fence. The lockable push-button operates through a connecting rod between the latch and push-button. Locking the external push-button does not lock the latch, it simply locks the push-button on this model.



INNOVATIVE & RELIABLE  
GATE PRODUCTS



### Technical Overview:

Latch Type	Gravity
Re-Key	No
Keyed alike	Option
Ideal gate gap	19mm
Gap variance	10-35mm
Vertical adjustment	13mm
Locks both sides	Yes (with EAK)
Lockable push-button	
Made from strong, moulded polymer	
Rust-free materials	
Stainless steel components	

### Ordering Details

**Product Code:**

LLAA

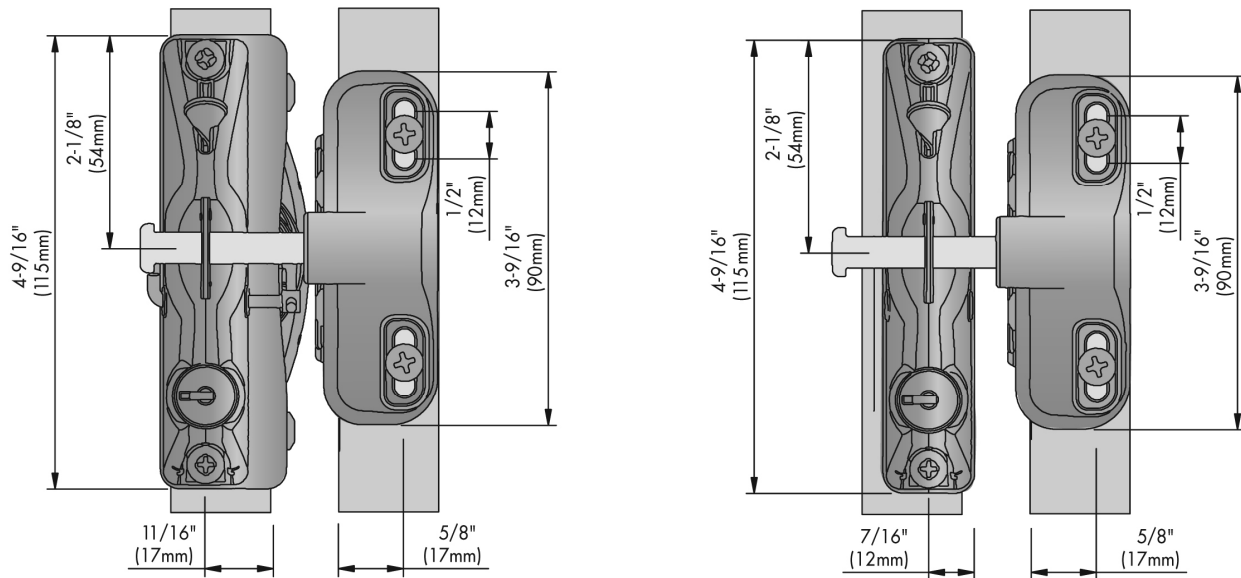
LLAAB

**Product Code:**

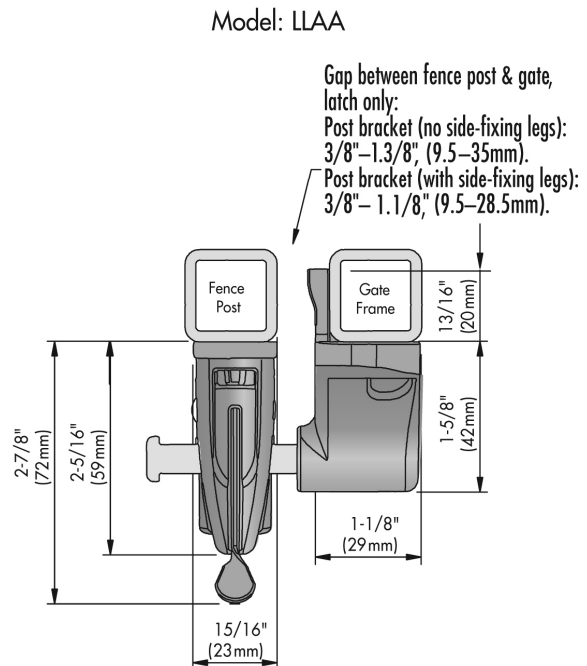
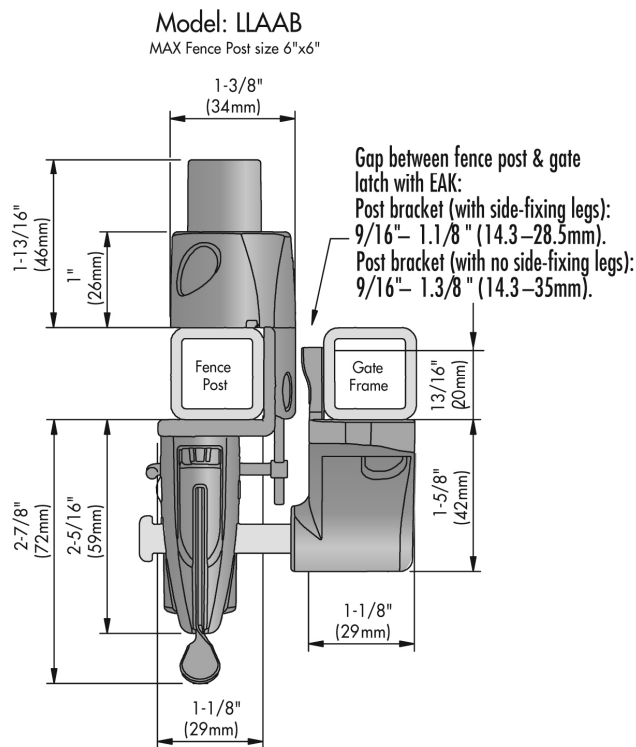
Lokk-Latch Series 2

Lokk-Latch Series 2 + EAK

### Latch Only



### General Arrangement of Lakk Latch + EAK and Latch Only



### Ordering Details

**Product Code:**

LLAA  
LLAAB

**Product Code:**

Lokk-Latch Series 2  
Lokk-Latch Series 2 + EAK