

Tiger

Vertically mounted commercial gate hinge closer with 180° opening and hydraulically controlled speed



A vertically mounted commercial gate hinge closer is designed for use with box section gates and frames with opening angles up to 180°. It's easy to install, has two adjustments (closing speed and latching speed) and is suitable for high use gates.

- Allows gate to open a full 180°
- Adjustable hydraulic control of closing speed ensures gate automatically closes at a safe speed
- Additional hydraulic adjustment to control latching speed
- Suitable for gate up to 1.1 m wide x 75 kg (open structure)
- Hinge closer mountings adjust 20 mm vertically and 15 mm horizontally
- Fully functional at temperatures down to -30° C
- Operates both left and right hand gates
- Production product testing to 500,000 cycles for maximum life
- Powder coated aluminium housing provides high corrosion resistance
- Suitable for use in applications requiring RoSPA compliance
- 3 year warranty



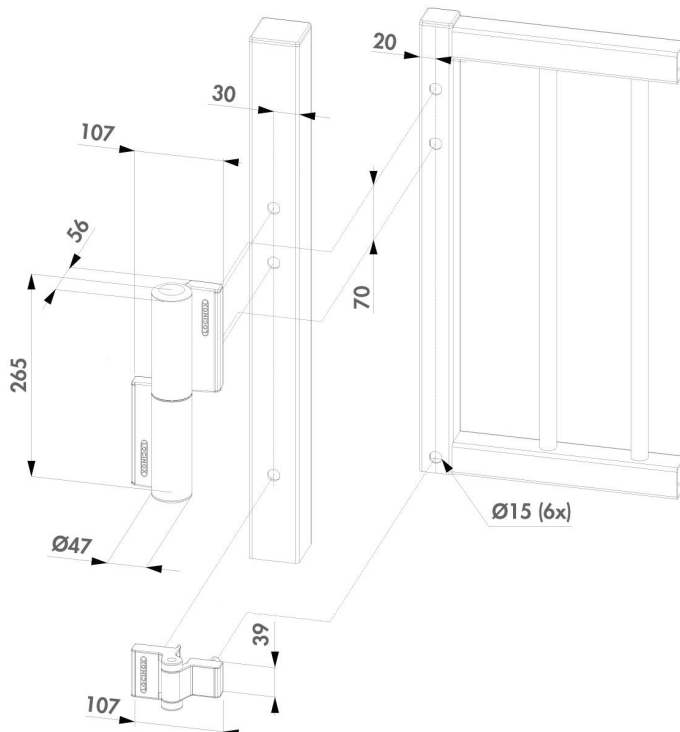
LOCINOX

500.000
TESTED

100%
MECHANICAL
TESTED

STAINLESS
STEEL

alu



Product codes: TIGER-9005 (black)
TIGER-ZILV (silver)