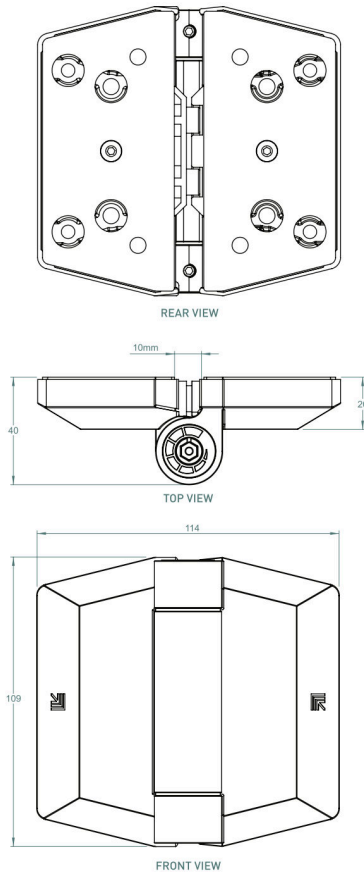


Polaris Soft Close Hinge

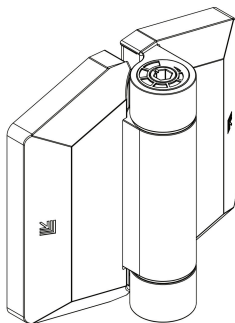
The Polaris 156 has been designed for easy installation to metal, timber, vinyl and GRP gates. They are easy to fit and provide a superb soft close action.

Each Polaris 156 is supplied with a simple tape on drilling template, fitting instructions and a range of interchangeable dampers to adjust the soft close damping. Installers need to supply fasteners suitable for the material the hinges are being mounted to.

All screw fastenings are hidden by removable polymer covers that can be spray painted to match gate/fence colour.



- Made from 2205 stainless steel and industrial polymers
- Suitable for flush post and gate arrangements
- Gate widths from 800 to 1000 mm
- Gate heights up to 1800 mm
- Provides 180 degree opening angle
- Temperature operating range from -10 degrees to +50 degrees C
- Self closes and provides final soft closing of gates up to 45 kg
- Installation template included
- Fastener covers can be spray painted
- Adjustable soft close speed
- Adjustable closing power



Product Code: POLARIS156