



THE GATE CLOSER SPECIALISTS

Locinox Standard Gate Lock

(For residential and commercial gates)

This well proven lock range suits both residential and commercial gate applications.

The Locinox standard lock is easy to install and requires no welding of any parts. Its aluminium lock case and stainless steel lock parts ensure a rust free life, not rusting from the inside, or outside.

A strong tamper proof construction provides superior levels of security and decreases the likelihood of damage to the lock. Both latch bolt and deadbolt projection are adjustable without removing the lock case making final adjustment really easy.

It is available in three colours silver, black or green. Three models are offered to fit gate frame profiles: 10-20mm solid bar, 30-50mm box section and 40-60mm box section. The next page gives full details for ordering.

Each lock comes with two handles, a lock keep, fixing screws and three keys. We also provide a drawing giving drilling hole sizes and hole positions.



Standard Keep

Security Keep



Technical Overview:

20mm latch bolt adjustment

Painted aluminium lock box

20mm deadbolt adjustment

Stainless steel chassis and lock parts

Available in silver, black or green

When deadbolt engaged latch bolt ineffective

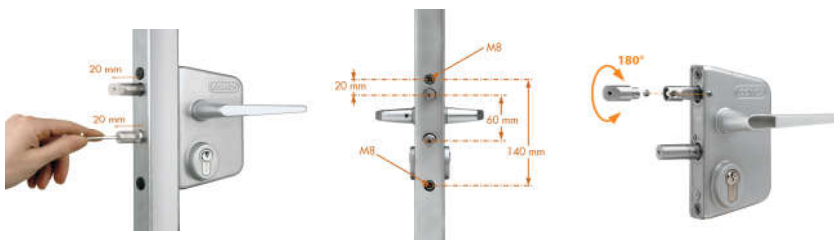
25mm deadbolt throw with 1 turn of key

Strong tamper proof construction and security

Supplies with handles, lock keep and three keys

Latch rotates 180 degrees for left or right use

Models for 10mm solid up to 60mm box sections



Locinox Standard Gate Lock

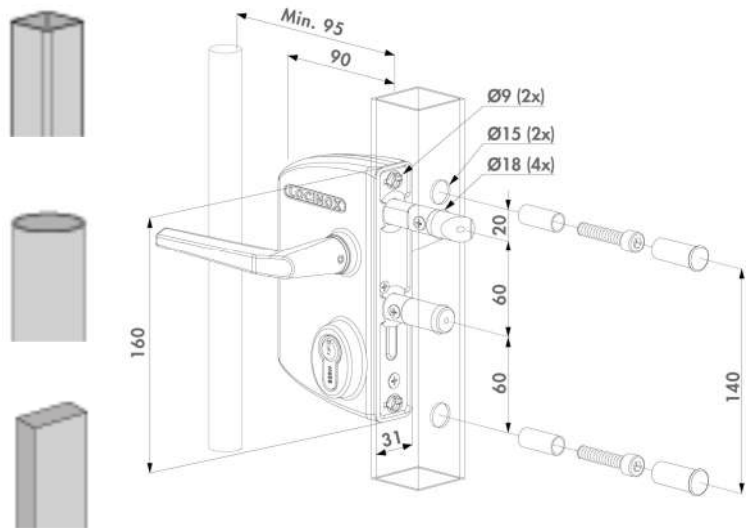


A wide range of lock models offering colour and profile options to make it an easy task selecting a suitable gate lock. There are also two handle options to get the appearance and performance just right.

To create the highest lock security possible, a selection of keeps with stop plate colours to match the gate locks are available.

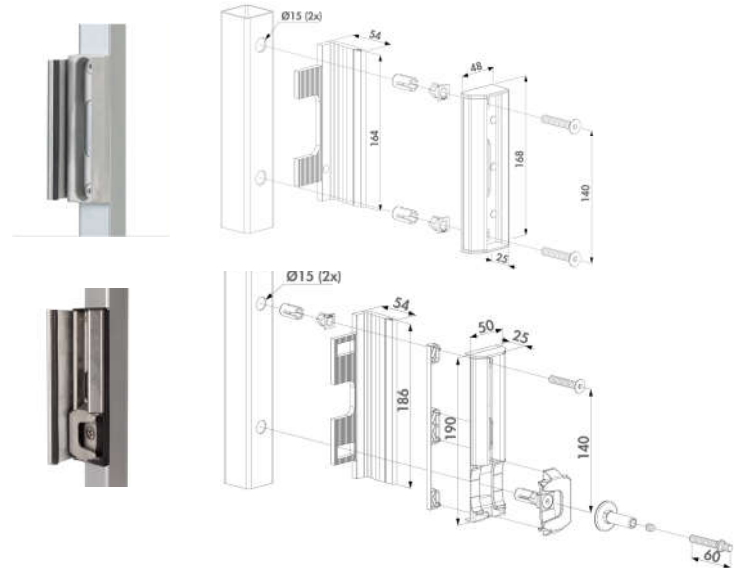
Lock Profiles

- | | |
|------------|-------------------------|
| LAKQ3030U2 | 30 to 50mm box section |
| LAKQ4040U2 | 40 to 60mm box section |
| LAKQ6060U2 | 60 to 80mm box section |
| LARQ3030U2 | 30 to 50mm tube section |
| LARQ4040U2 | 40 to 60mm tube section |
| LARQ6060U2 | 60 to 80mm tube section |
| LAPQ1010U2 | 10 to 30mm flat section |



Keeps

- | | |
|---------|-------------------------|
| SAKL QF | Box section (Standard) |
| SARL QF | Tube section (standard) |
| SHKL QF | Box section (Security) |
| SHRL QF | Tube section (Security) |



Handles

- | | |
|------------------|--------|
| Aluminium | Silver |
| Steel (scrolled) | Black |

Colours

- | | |
|---------|-------------------|
| ZILV | Silver (standard) |
| RAL9005 | Black |
| RAL6009 | Fir Green |

