



THE GATE CLOSER SPECIALISTS

Locinox Vinci Double Keypad Lock

Within the Vinci range, this lock provides the highest level of security needing a pass code to enter or exit through the gate.

Featuring a latch bolt operated by the handles or keys, and a deadbolt operated by only the keys, Vinci has two levels of security. Day-to-day security where people can come and go using the keypads and handles, which operates the latch bolt, and out of hours security where the deadbolt is engaged using only the keys.

Most keypad locks are vertical to minimise deposits of water and debris collecting around the digit buttons. The Vinci is different. Vinci keypads are set at an angle facing upwards to the user making it easier to enter a code, particularly for people with varifocal glasses. The lock's keypads are protected from water and debris by a hinged polymer covers.

Vinci's strong aluminium housing and stainless steel lock mechanism result in a strong durable lock. Salt spray tested to ensure high standards of corrosion resistance, the Vinci range is ideal for harsh environments.

If electricity is unavailable and reliable access control is a requirement, Vinci is the solution. Vinci is a completely mechanical lock, no electricity required.



Key features:

Easy keypad code changing

Lock code rearms when handle is pushed

Keypad code required for entry and exit

Entry and exit codes can be different

Code detection security press plate

Interchangeable with other Locinox locks

Robust design and construction

Salt spray tested

20 mm latch and deadbolt length adjustment

Suitable for square, round and flat profiles

Solid stainless steel deadbolt with 23 mm throw

LOCINOX



Locinox Vinci

Double Keypad Lock



A wide range of lock models offering colour and profile options to make it an easy task selecting a suitable gate lock. There are also three handle options to get the appearance and performance just right.

To create the highest lock security possible, a selection of keeps with stop plate colours to match Vinci locks are also available.

Locks

LMKQ3030V2L	30 to 50 mm box section
LMKQ4040V2L	40 to 60 mm box section
LMKQ6060V2L	60 to 80 mm box section
LMRQ3030V2L	30 to 50 mm tube section
LMRQ4040V2L	40 to 60 mm tube section
LMRQ4040V2L	60 to 80 mm tube section
LMPQ1010V2L	10 to 30 mm flat section



Keeps

SAKL QF	Box section		Standard
SARL QF	Tube section		
SHKL QF	Box section		Security
SHRL QF	Tube section		

Handles

3006C	Anodised aluminium club handle set (standard)
3006I	Stainless steel handle set
3006D	Anodised aluminium handle set



3006C



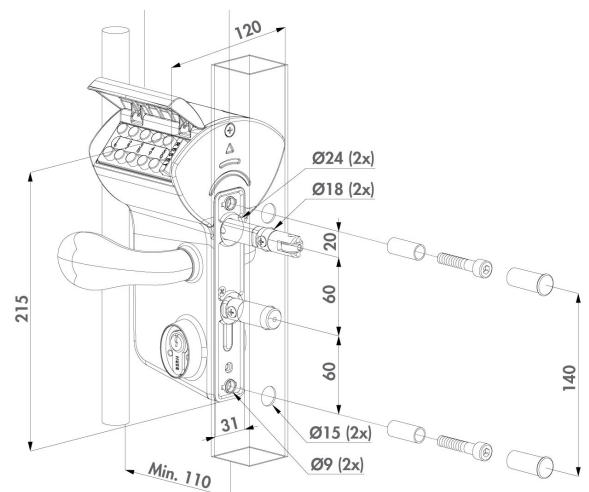
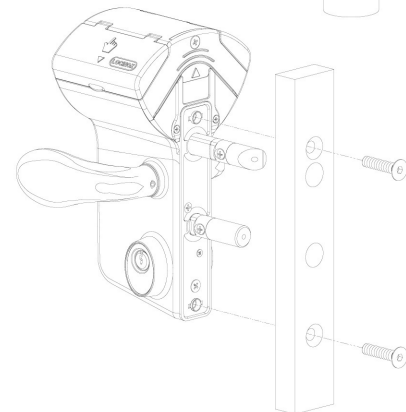
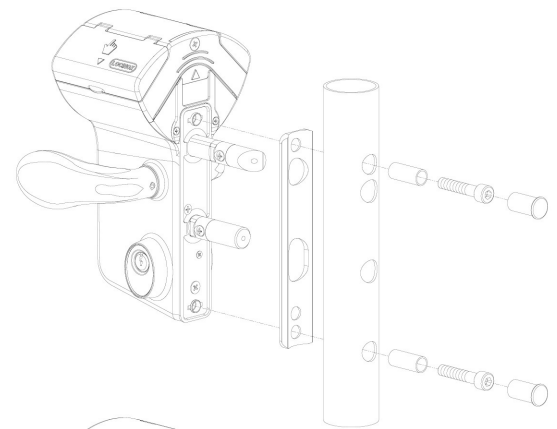
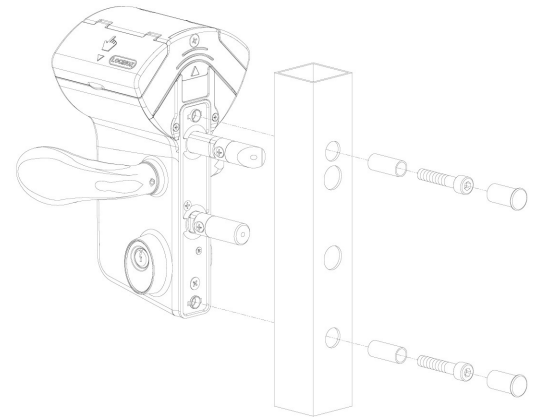
3006I



3006D

Colours

ZILV	Silver	
RAL6005	Moss green	
RAL6009	Fir green	
RAL7016	Anthracite	
RAL9005	Black	
RAL9010	White	



Vinci locks are suitable for use with all gate closers supplied by Gate Control Gear